

# Kalzip® Seam clips

## Product data sheet

### The product

Kalzip offers three types of seam clips:

Type FA: Flat connection made of aluminium

Type FS: Flat stainless steel connection

Type WS: Angle connection made of stainless steel

### Product advantages

- Penetration-free attachment
- Officially tested and evaluated in conjunction with the Kalzip system as a system accessory

### Field of application

The Kalzip seam clips is used for the penetration-free fixing of attachments e. g. B. Walking gratings, solar systems (photovoltaic and solar thermal). The temperature-related changes in length of the Kalzip profiled sheets are not affected by the Kalzipseam clips when installed correctly impedes or restricts.

### Installation note

The seam clips are inserted in the open closed was placed on the flanges and the clamping screw with a tightening torque of 6 Nm. It must be ensured that the seam clips are not readjusted or moved after fixing, otherwise they lose their clamping effect. In practice, this means that the clamping screws should only be tightened to the tightening torque of 6 Nm after installation attachments (e. g. B. Frames for solar systems) on the mounting clamp. If the position of the seam clips is changed, the screws must be tightened again.

### Note

The Kalzip fixing clamps are not to be used as anchor points for personal safety devices.

### Kalzip seam clips

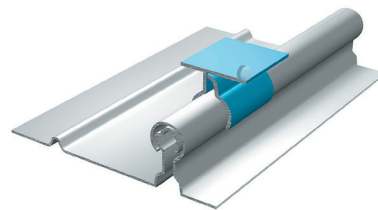
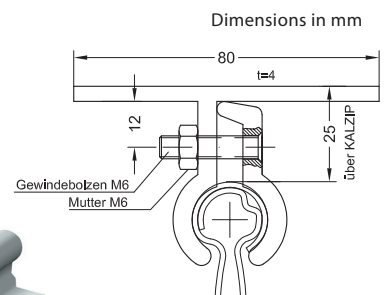
#### Seam clips Typ FA

Connection to: Flat form

Material: aluminium

length: 60 mm

Tightening torque: 6 Nm



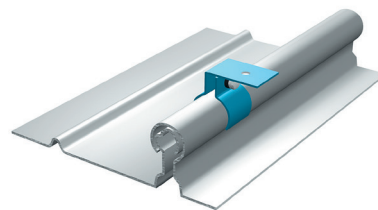
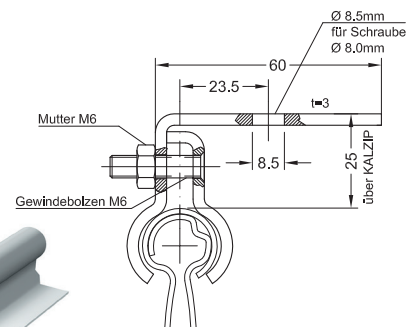
#### Seam clips Typ FS

Connection to: Flat form

Material: Stainless steel

length: 38 mm

Tightening torque: 6 Nm



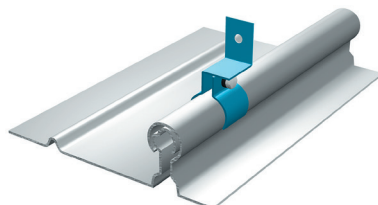
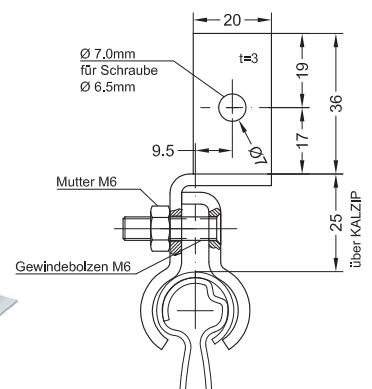
#### Seam clips Typ WS

Connection to: Angle

Material: Stainless steel

length: 38 mm

Tightening torque: 6 Nm



# Product data sheet seam clips

Characteristic values of the load capacity  $R_c$  of the fixing clamps in [kN] on Kalzip (for all load directions):

sheet thickness t [mm]	Clip distance $L_k$ [m]										
	1,00	1,10	1,20	1,30	1,40	1,50	1,60	1,70	1,80	1,90	2,00
0,80	1,23	1,17	1,12	1,06	1,01	0,95	0,89	0,84	0,78	0,73	0,67
0,90	1,38	1,33	1,28	1,22	1,17	1,12	1,07	1,01	0,96	0,91	0,86
1,00	1,54	1,48	1,42	1,36	1,30	1,24	1,18	1,13	1,07	1,01	0,95
1,20	1,84	1,77	1,70	1,63	1,56	1,49	1,42	1,35	1,28	1,21	1,12

sheet thickness t [mm]	Clip distance $L_k$ [m]										
	2,10	2,20	2,30	2,40	2,50	2,60	2,70	2,80	2,90	3,00	-
0,80	0,64	0,61	0,58	0,56	0,54	0,52	0,50	0,48	0,46	0,45	-
0,90	0,81	0,78	0,74	0,71	0,68	0,66	0,63	0,61	0,59	0,57	-
1,00	0,90	0,86	0,83	0,79	0,76	0,73	0,70	0,68	0,66	0,63	-
1,20	1,07	1,02	0,97	0,93	0,90	0,86	0,83	0,80	0,77	0,75	-

## Proof of the seam clips

The value of the external load increased by  $\gamma_F$   
S per seam clip must be smaller than  
is the characteristic value of the load capacity  $R_c$  of the  
seam clip divided by  $\gamma_M$ :

$$\gamma_F \cdot S \leq R_c / \gamma_M$$

with  $\gamma_F = 1,5$   
and  $\gamma_M = 1,1$

- Clip distances  $\leq 1.00$  m may not be invoiced.
- Distance  $\leq 1.00$  m from mounting clamps may not be invoiced.
- The proof of stability for the Kalzip profiled sheets and the seam clips themselves must be kept separately.

Kalzip is a registered trademark. While care has been taken to ensure that the information contained in this publication is accurate, neither Kalzip GmbH, nor its branches or agents, accept responsibility or liability for errors or for information which is found to be misleading. Before using products or services supplied or manufactured by Kalzip GmbH, customers should satisfy themselves as to their suitability.

Copyright 2019 · Kalzip GmbH

Kalzip GmbH  
August-Horch-Str. 20-22 · D-56070 Koblenz  
T 02 61 - 98 34-0 · F 02 61 - 98 34-100  
germany@kalzip.com  
www.kalzip.com